

Standard INVERTER V



P09RK / P12RK / P18RK



P24RK



Supreme Energy Efficiency Active Energy Control BLDC Motor Skew Fan Absolute Silence Outdoor Unit 3M Micro Protection Filter Auto Cleaning Dual Protection Filter Jet Cool 2-Way Swing Quick & Easy Installation

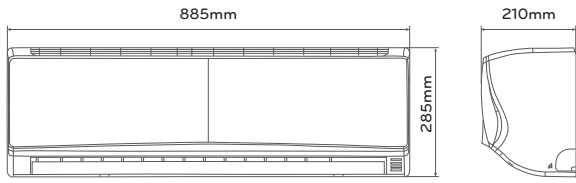
Unit				9K	12K	18K	24K
Indoor Model				P09RK	P12RK	P18RK	P24RK
Outdoor Model				P09RK	P12RK	P18RK	P24RK
Indoor							
Capacity	Cooling	Min	W	890	900	900	900
		Rated	W	2500	3500	5200	7030
		Max	W	3700	4040	6000	8650
	Heating	Min	W	890	890	900	900
		Rated	W	3200	4000	6300	8440
		Max	W	4100	5100	9000	11400
Heating -7°C	Rated	W	3000	3600	5400	7500	
	Max	W	3000	3600	5400	7500	
Power Input	Cooling	Rated	W	600	1,010	1,500	2,190
		Max	W	770	1,050	1,650	2,330
	Heating +7°C	Rated	W	770	1,050	1,650	2,330
E.E.R.		W/W		3.73	3.24	3.47	3.21
S.E.E.R.				5.8	5.6	5.7	5.9
P design C		kW		2.5	3.5	5.2	7.03
C.O.P.		W/W		3.81	3.80	3.82	3.62
S.C.O.P.				3.4	3.4	3.4	3.5
P design H		Kw		3.2	3.8	6.3	8.44
Energy Label	Cooling			A+	A+	A+	A+
	Heating			A	A	A	A
Annual Energy Consumption	Cooling		kWh	151	219	319	417
	Heating		kWh	1318	1565	2594	3360
Sound Pressure	Cooling	Sleep	dB(A)	19	19	29	37
		Low	dB(A)	23	23	35	39
		Medium	dB(A)	33	33	40	44
		High	dB(A)	38	39	42	49
	Heating	Low	dB(A)	23	23	35	39
		High	dB(A)	33	33	40	44
Sound Power	Cooling	High	dB(A)	57	57	60	65
Air Flow Rate	Cooling	Sleep	m³/min	3.5	3.5	8.5	10
		Low	m³/min	5.5	5.5	10.5	12
		Medium	m³/min	8	8	12.5	15
		High	m³/min	10	10	14.5	21
	Heating	Max (Power)	m³/min	12	12	19	26
		Low	m³/min	10.5	10.5	10.5	10
		Medium	m³/min	8.5	8.5	12.5	14
		High	m³/min	6.5	6.5	14.5	21
Dehumidification Rate		l/h		1.1	1.3	2	2.8
Running Current	Cooling	Rated	A	2.66	4.6	6.6	9.5
		Max	A	6.5	6.5	7.8	13
	Heating	Rated	A	3.4	4.65	7.3	10.1
		Max	A	6	6	9.4	14
Starting Current	Cooling	Rated	A	2.66	4.6	6.6	9.5
	Heating	Rated	A	3.4	4.65	7.3	10.1
Power Supply		φ / V / Hz		1 / 220-240 / 50	1 / 220-240 / 50	1 / 220-240 / 50	1 / 220-240 / 50
Circuit Breaker		A		15	15	20	25
Power Supply Cable		N x mm²		3 x 1.0	3 x 1.0	3 x 1.5	3 x 2.5
Power & Transmission Cable		N x mm²		4 x 1.0 (Including Earth)	4 x 1.0 (Including Earth)	4 x 1.0 (Including Earth)	4 x 1.0 (Including Earth)
Dimension		mm		885*285*210	885*285*210	1030*325*245	1209*346*237
Net Weight		kg		9	9	15.5	18
Fan Motor Output		W		20	20	49	30
Outdoor							
Operation Range	Cooling	Min - Max	°CDB	-10~48	-10~48	-10~48	-10~48
	Heating	Min - Max	°CWB	-10~24	-10~24	-15~24	-15~24
Sound Pressure	Cooling	High	dB(A)	47	47	54	56
	Heating	High	dB(A)	47	47	54	56
Sound Power	Cooling	High	dB(A)	65	65	65	70
Air Flow Rate		High	m³/min	27	27	50	60
Piping	Length (Odu/Idu)	Min	m	3	3	-	-
		Max	m	15	15	20	30
		Max	m	7	7	10	15
Piping Connection	Liquid	OD(Outside)	mm	6.35	6.35	6.35	9.52
		OD(Outside)	inch	(1/4)	(1/4)	(1/4)	(3/8)
	Gas	OD(Outside)	mm	9.52	9.52	12.7	15.88
		OD(Outside)	inch	(3/8)	(3/8)	(1/2)	(5/8)
	Drain	OD(Outside)	mm	21.5	21.5	21.5	21.5
		OD(Outside)	inch	0.85	0.85	0.85	0.85
Refrigerant	Type			R410A	R410A	R410A	R410A
	Charge at 7.5m		g	900	900	1350	2000
	Additional Charge		g/m	20	20	20	35
Fan Motor Output		W		43	43	85	124
Compressor Type				Rotary	Rotary	Twin Rotary	Twin Rotary
Net Weight		kg		26	28	49	58
Dimension		mm		717*483*230	717*483*230	870*655*320	870*800*320

*measurement from the front panel **measurement excluding legs

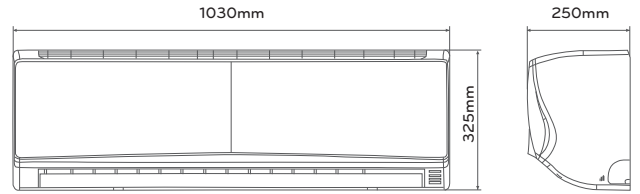
42 Note : 1. Capacities are based on the following conditions Cooling : Indoor Temperature 27°C DB / 19°C WB / Outdoor Temperature 35°C DB / 24°C WB
Heating : Indoor Temperature 20°C DB / 15°C WB / Outdoor Temperature 7°C DB / 6°C WB

2. Annual energy consumption based on average use of running hours per year at nominal condition (cooling 350 hours, heating 1400 hours)

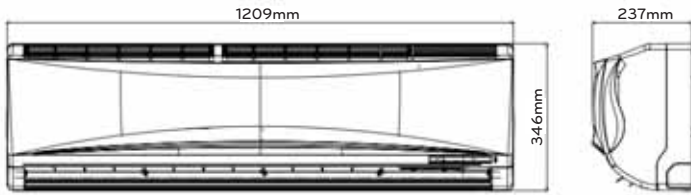
P09RK / P12RK



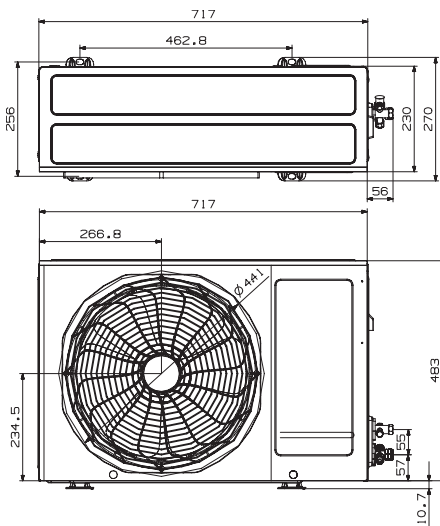
P18RK



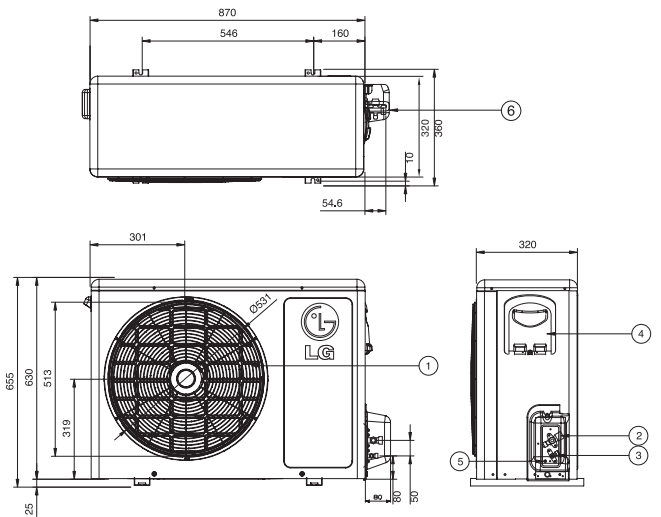
P24RK



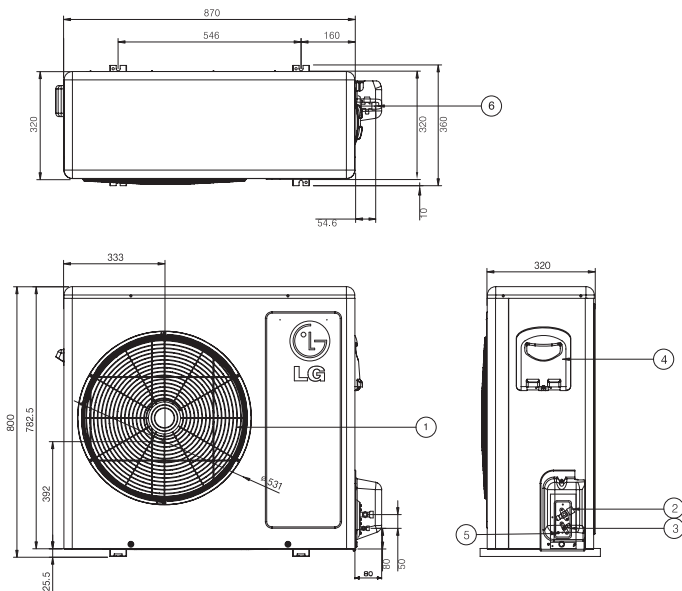
P09RK / P12RK



P18RK



P24RK



(Unit:mm)

Part Name	
1	Air discharge grille
2	Gas pipe connection
3	Liquid pipe connection
4	Power & Transmission connection
5	Earth screw
6	SVC valve cover