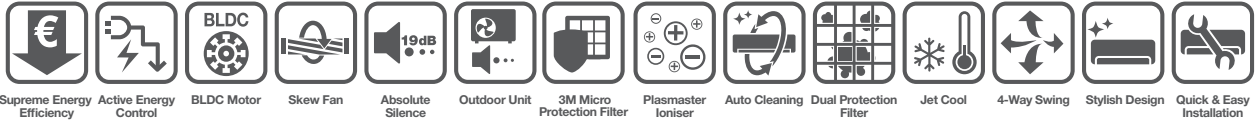


ARTCOOL INVERTER V

A09RK / A12RK / A18RK

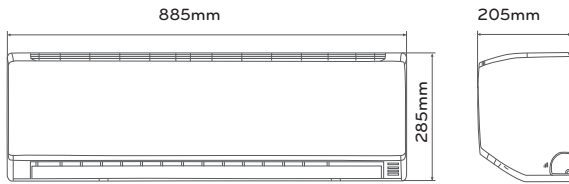


Unit				9K	12K	18K	
Indoor Model				A09RK	A12RK	A18RK	
Outdoor Model				S09AK	S12AK	S18AK	
Indoor							
Capacity	Cooling	Min	W	890	890	900	
		Rated	W	2500	3500	5200	
		Max	W	3700	4040	6000	
	Heating	Min	W	890	890	900	
		Rated	W	3200	4000	6300	
		Max	W	5000	6000	9000	
Power Input	Heating -7°C	Rated	W	3200	3800	5400	
	Cooling	Rated	W	550	880	1,500	
		Heating +7°C	Rated	W	700	960	1,650
E.E.R.				W/W	4.55	3.98	3.47
S.E.E.R.					6.2	6.1	5.7
P design C				kW	2.5	3.5	5.2
C.O.P.				W/W	4.57	4.17	3.82
S.C.O.P.					4.0	4.0	3.4
P design H				Kw	3.2	4.0	6.3
Energy Label	Cooling				A++	A++	A+
	Heating				A+	A+	A
Annual Energy Consumption	Cooling			kWh	142	201	319
	Heating			kWh	1120	1400	2594
Sound Pressure	Cooling	Sleep	dBA	19	19	29	
		Low	dBA	23	23	35	
		Medium	dBA	33	33	40	
		High	dBA	38	39	42	
	Heating	Low	dBA	23	23	35	
		Medium	dBA	33	33	40	
Sound Power	Cooling	High	dBA	57	57	60	
	Air Flow Rate	Cooling	Sleep	m³/min	3.5	3.5	8.5
Air Flow Rate	Cooling	Low	m³/min	5.5	5.5	10.5	
		Medium	m³/min	8	8	12.5	
		High	m³/min	10	10	14.5	
		Max (Power)	m³/min	12	12	19	
	Heating	Low	m³/min	10.5	10.5	10.5	
		Medium	m³/min	8.5	8.5	12.5	
Dehumidification Rate							
	Running Current	Cooling	Rated	A	2.6	4.1	6.6
Running Current	Cooling	Max	A	6.0	6.0	7.8	
		Heating	Rated	A	3.2	4.4	7.3
Starting Current	Cooling	Max	A	7.0	7.0	9.4	
		Rated	A	2.6	4.1	6.6	
Starting Current	Heating	Rated	A	3.2	4.4	7.3	
		Power Supply			Φ / V / Hz	1 / 220-240 / 50	1 / 220-240 / 50
Circuit Breaker				A	15	15	20
Power Supply Cable				N x mm²	3*1.0	3*1.0	3 x 1.5
Power & Transmission Cable				N x mm²	4*1.0 (Including Earth)	4*1.0(Including Earth)	4 x 1.0 (Including Earth)
Dimension				mm	885*285*205	885*285*205	1030*325*245
Net Weight				kg	10	10	15.5
Fan Motor Output				W	20	20	49
Outdoor							
Operation Range	Cooling	Min ~ Max	°CDB	-10~48	-10~48	-10~48	
	Heating	Min ~ Max	°CWB	-15~24	-15~24	-15~24	
Sound Pressure	Cooling	High	dBA	45	45	54	
	Heating	High	dBA	45	45	54	
Sound Power	Cooling	High	dBA	65	65	65	
Air Flow Rate	High	m³/min		33	33	50	
Piping	Length (Odu/Idu)	Min	m	2	2	-	
		Max	m	20	20	20	
Piping Connection	Elevation (Odu/Idu)	Max	m	10	10	10	
		Liquid	OD(Outside)	mm	6.35	6.35	6.35
Gas	OD(Outside)		inch	(1/4)	(1/4)	(1/4)	
	Drain	OD(Outside)	mm	9.52	9.52	12.7	
Refrigerant		Type	OD(Outside)	inch	(3/8)	(3/8)	(1/2)
	OD(Outside)		mm	21.5	21.5	21.5	
Refrigerant	Charge at 7.5m	OD(Outside)	inch	0.85	0.85	0.85	
		Type		R410A	R410A	R410A	
Fan Mortor Output	Compressor Type	Charge	g	1,000	1,000	1350	
		Additional Charge	g/m	20	20	20	
Net Weight	Dimension	W		43	43	85	
		Compressor Type		1P Rotary	1P Rotary	Twin Rotary	
Net Weight	Dimension	kg		32.3	32.3	49	
		mm		770*545*288	770*545*288	870*655*320	

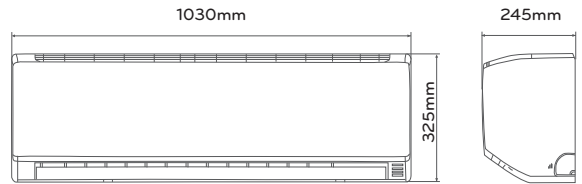
38 **Note : 1. Capacities are based on the following conditions** Cooling : Indoor Temperature 27°C DB / 19°C WB / Outdoor Temperature 35°C DB / 24°C WB
Heating : Indoor Temperature 20°C DB / 15°C WB / Outdoor Temperature 7°C DB / 6°C WB

2. Annual energy consumption based on average use of running hours per year at nominal condition (cooling 350 hours, heating 1400 hours)

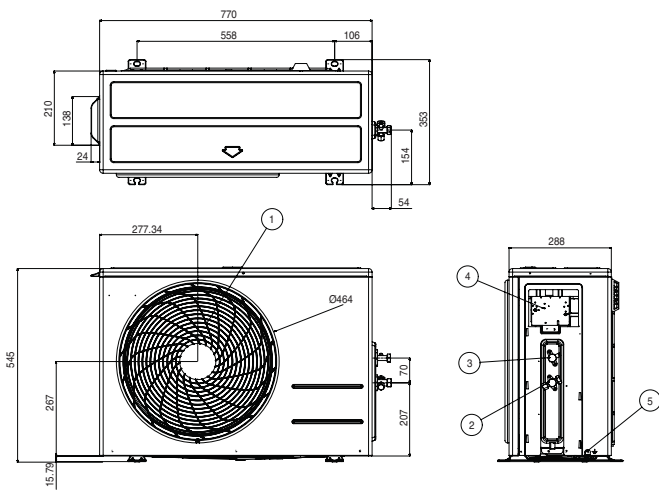
A09RK / A12RK



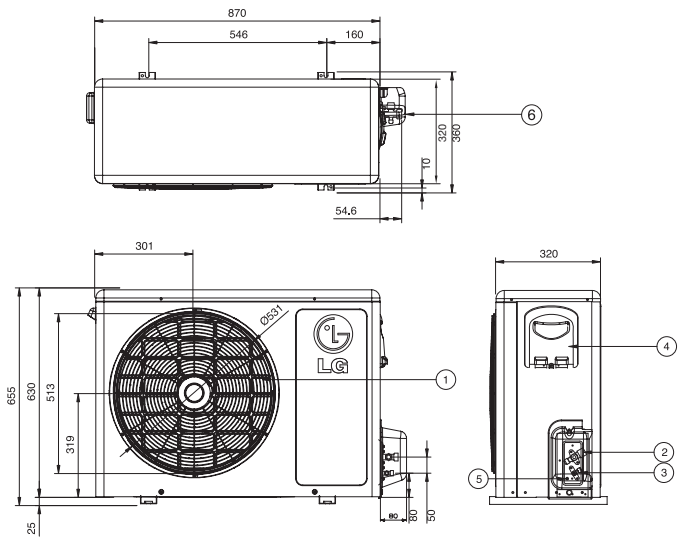
A18RK



S09AK / S12AK



S18AK



(Unit:mm)

Part Name	
1	Air discharge grille
2	Gas pipe connection
3	Liquid pipe connection
4	Power & Transmission connection
5	Earth screw
6	SVC valve cover