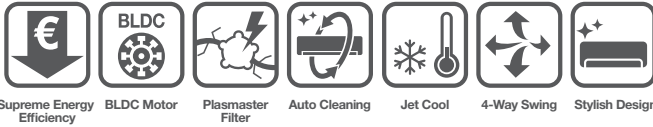


Gallery

INVERTER V

G09PK / G12PK

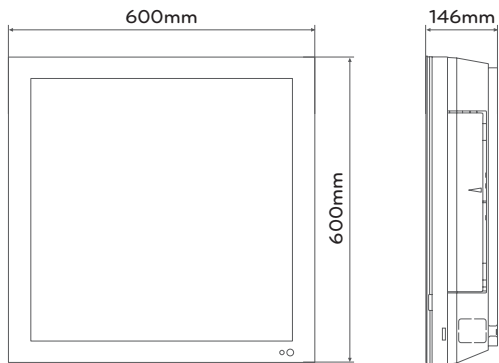


Unit				9K	12K	
Indoor Model				G09PK	G12PK	
Outdoor Model				G09PK	G12PK	
Indoor						
Capacity	Cooling	Min	W	1300	1300	
		Rated	W	2700	3500	
		Max	W	3500	4000	
	Heating	Min	W	1300	1300	
		Rated	W	3500	4000	
		Max	W	4200	5000	
Heating -7°C	Rated	W	3400	3600		
	Cooling	Rated	W	700	1060	
	Heating +7°C	Rated	W	930	1100	
Power Input						
E.E.R.		W/W		3.86	3.30	
S.E.E.R.				5.30	5.30	
P design C		kW		2.70	3.50	
C.O.P.		W/W		3.76	3.64	
S.C.O.P.				3.50	3.40	
P design H		kW		3.50	4.00	
Energy Label	Cooling			A	A	
	Heating			A	A	
Annual Energy Consumption	Cooling	kWh		178	230	
	Heating	kWh		1400	1647	
Sound Pressure	Cooling	Sleep	dBA	23	23	
		Low	dBA	25	25	
		Medium	dBA	29	32	
	Heating	High	dBA	35	39	
		Low	dBA	25	25	
		Medium	dBA	29	32	
High	dBA	35	39			
Sound Power	Cooling	High	dBA	57	57	
Air Flow Rate	Cooling	Sleep	m³/min	5.0	5.0	
		Low	m³/min	6.0	6.0	
		Medium	m³/min	8.0	8.0	
		High	m³/min	9.0	9.0	
		Max (Power)	m³/min	9.5	9.5	
	Heating	Low	m³/min	6.5	6.5	
		Medium	m³/min	8.5	8.5	
		High	m³/min	9.4	9.4	
		Dehumidification Rate			l/h	1.2
Running Current	Cooling	Rated	A	3.3	4.8	
		Max	A	6.0	6.0	
	Heating	Rated	A	4.3	5.0	
		Max	A	7.0	7.0	
Starting Current	Cooling	Rated	A	3.3	4.8	
	Heating	Rated	A	4.3	5.0	
Power Supply			Φ / V / Hz	1/220-240/50	1/220-240/50	
Circuit Breaker			A	15	15	
Power Supply Cable			N x mm²	3*1.0	3*1.0	
Power & Transmission Cable			N x mm²	4*1.0(Including Earth)	4*1.0(Including Earth)	
Dimension			mm	600*600*146	600*600*146	
Net Weight			kg	15	15	
Fan Motor Output			W	15	15	
Outdoor						
Operation Range	Cooling	Min ~ Max	°CDB	-10~48	-10~48	
	Heating	Min ~ Max	°CWB	-10~24	-10~24	
Sound Pressure	Cooling	High	dBA	45	45	
	Heating	High	dBA	45	45	
Sound Power	Cooling	High	dBA	65	65	
Air Flow Rate			High	m³/min	33	33
Piping	Length (Odu/Idu)	Min	m	3	3	
		Max	m	15	15	
Piping Connection	Elevation (Odu/Idu)	Max	m	7	7	
		Liquid	OD(Outside)	mm	6.35	6.35
Refrigerant	Type	OD(Outside)	inch	1/4	1/4	
		Gas	OD(Outside)	mm	9.52	9.52
		OD(Outside)	inch	3/8	3/8	
		OD(Outside)	mm	21.5	21.5	
Fan Mortor Output	Additional Charge	OD(Outside)	inch	0.85	0.85	
		Type			R410a	R410a
Compressor Type	Charge at 7.5m	g		1000	1000	
	Additional Charge	g/m		20	20	
Net Weight			kg	34	34	
Dimension			mm	770 x 545 x 288	770 x 545 x 288	

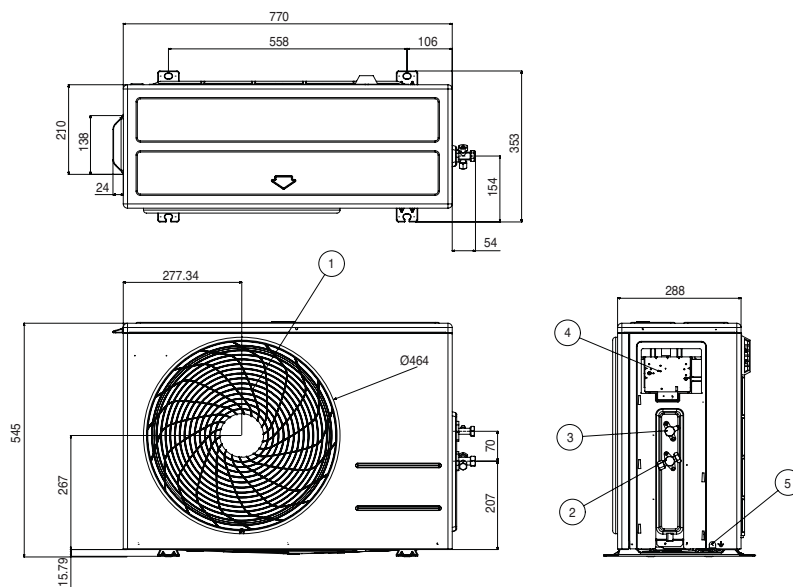
36 **Note : 1. Capacities are based on the following conditions** Cooling : Indoor Temperature 27°C DB / 19°C WB / Outdoor Temperature 35°C DB / 24°C WB
Heating : Indoor Temperature 20°C DB / 15°C WB / Outdoor Temperature 7°C DB / 6°C WB

2. Annual energy consumption based on average use of running hours per year at nominal condition (cooling 350 hours, heating 1400 hours)

G09PK / G12PK



G09PK / G12PK



(Unit:mm)

Part Name	
1	Air discharge grille
2	Gas pipe connection
3	Liquid pipe connection
4	Power & Transmission connection
5	Earth screw
6	SVC valve cover